

A. H. SWAIN.  
Ironing-Boards.

No. 157,242.

Patented Nov. 24, 1874.

Fig. 1.

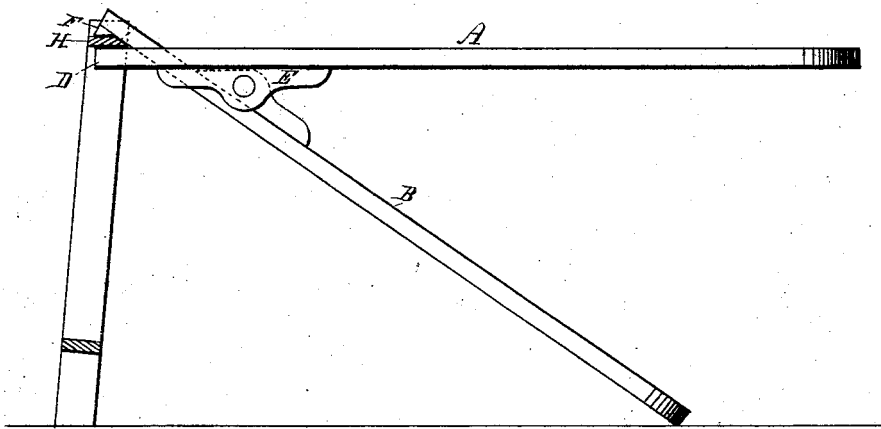


Fig. 2.

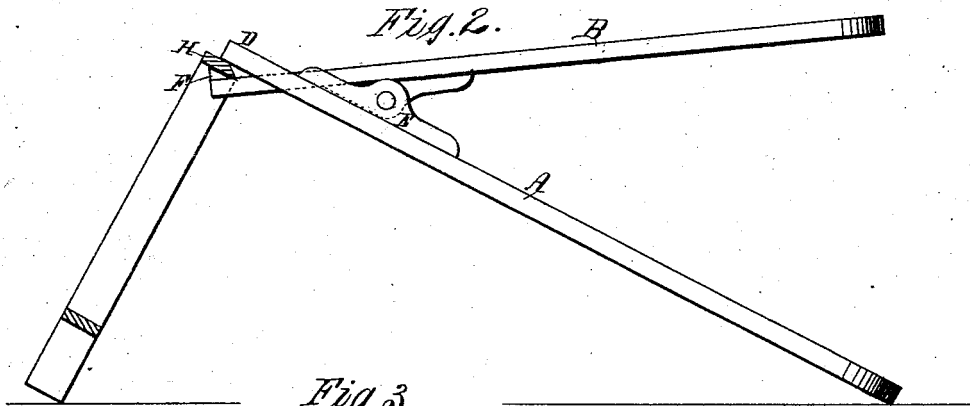
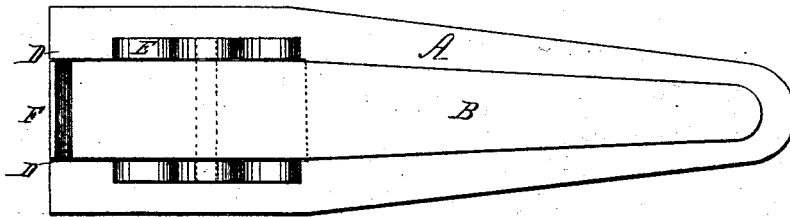


Fig. 3.



Witnesses

L. P. Nott  
L. M. Strady

Inventor

Alva H. Swain

# UNITED STATES PATENT OFFICE.

ALVA H. SWAIN, OF WINCHESTER, INDIANA.

## IMPROVEMENT IN IRONING-BOARDS.

Specification forming part of Letters Patent No. **157,242**, dated November 24, 1874; application filed April 20, 1874.

*To all whom it may concern:*

Be it known that I, ALVA H. SWAIN, of Winchester, in the county of Randolph and State of Indiana, have invented a certain Improvement in Ironing Boards, of which the following is a specification:

The nature of my invention consists in combining with an ordinary wide ironing-board a narrow press-board, in such a manner that the united boards are capable of ready attachment to a single trestle, or to the ledge of a table, or stand, or window-sill, the board not in use at the time being serving as a brace to the other board, extending in an approximately horizontal direction from the supporting object. The boards fold together when not in use for compactness, storage, and transportation.

In the annexed drawings, Figure 1 is a side elevation of my invention. Fig. 2 is a similar view, showing the boards in a position reverse from that illustrated in Fig. 1. Fig. 3 is a plan view, representing the narrow press-board on top of the wide ironing-board.

The same letters of reference are used in all the figures in the designation of identical parts.

A refers to the wide ironing-board, and B to the narrow press-board. They are hinged

together at E, not far distant from one of their ends, and the wide board A has a gap, D, (best seen in Fig. 3,) cut in that end, of a length sufficient to permit the end of the narrow board B to pass through it to an extent to enable the jaws thus formed to grasp the ledge of a table or the like. A tooth or sharp ridge, F, is formed on the clamping-jaw of one of the boards, (on board B in the present example,) to take firm hold of the supporting object, and prevent too ready detachment or slipping off.

A separate trestle or frame, H, may be used in connection with the combined ironing and press board, for giving the required support at one end. The application of the boards is so clearly shown that a detailed description is not necessary.

What I claim as my invention, and desire to secure by Letters Patent, is—

The combination of the ironing-board A and press-board B, hinged together and adapted for operation substantially as and for the purpose specified.

ALVA H. SWAIN.

Witnesses:

G. MENTOS,  
G. H. BERRY.

500  
words